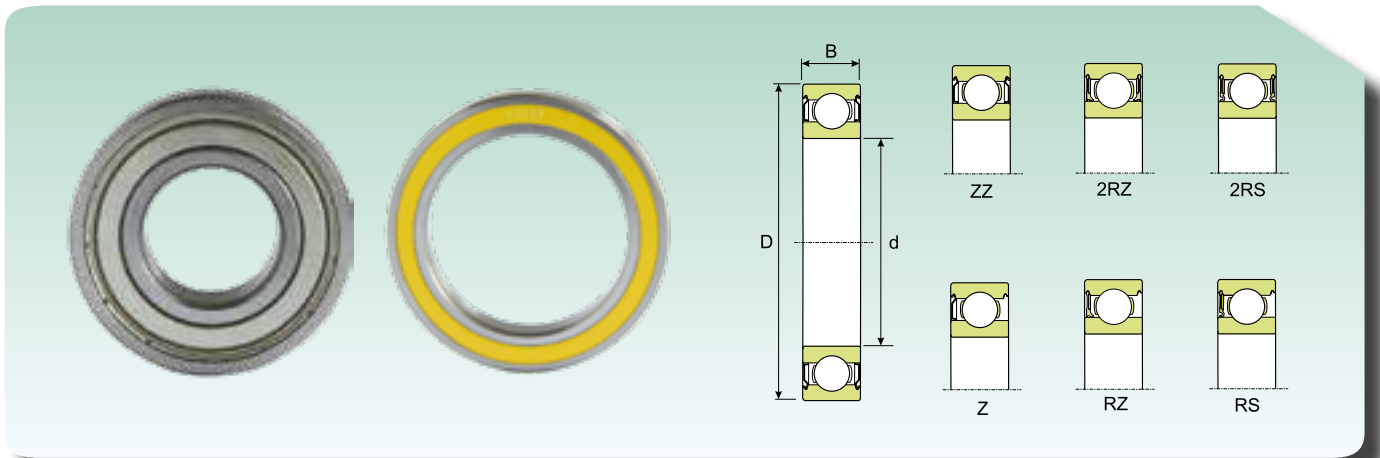


CUSCINETTI RADIALI AD UNA CORONA DI SFERE, SCHERMATI
SEALED RADIAL DEEP GROOVE BALL BEARINGS



Dimensioni (mm) Dimension (mm)			Coefficiente di carico (KN) Load rating (KN)		Velocità limite* Speed limit*	Peso (Kg) Weight (Kg)	Sigla Designation	
d (mm)	D (mm)	B (mm)	Dinamico Dynamic C	Statico Static C ₀			Schermo su un lato One side shield	Schermo su entrambi i lati Two side shield
15	32	13	5.48	2.8	13300	0.039	-	63002-2RS
	35	11	7.9	3.68	20900	0.045	6202-Z	6202-ZZ
	35	11	7.9	3.68	12350	0.045	6202-RS	6202-2RS
	35	14	7.65	3.68	12350	0.054	-	62202-2RS
	42	13	11.67	5.3	18050	0.082	6302-Z	6302-ZZ
	42	13	11.67	5.3	11400	0.082	6302-RS	6302-2RS
	42	17	11.18	5.3	11400	0.11	-	62302-2RS
17	23	4	0.80	0.50	25000	0.0082	-	61703-ZZ
	26	5	1.99	1.23	26600	0.0082	-	61803-ZZ
	26	5	1.99	1.23	26600	0.0082	-	61803-2RZ
	26	5	1.99	1.23	15200	0.0082	-	61803-2RS
	26	7	1.75	1.05	24000	0.0082	-	63803-ZZ
	30	7	4.53	2.5	24700	0.018	-	61903-ZZ
	30	7	4.53	2.5	24700	0.018	-	61903-2RZ
	30	7	4.53	2.5	13300	0.018	-	61903-2RS
	35	8	6.25	3.19	20900	0.032	-	16003-ZZ
	35	10	6.25	3.19	20900	0.039	6003-Z	6003-ZZ
	35	10	6.25	3.19	12350	0.039	6003-RS	6003-2RS
	35	14	5.93	3.19	12350	0.052	-	63003-2RS
	40	12	9.76	4.66	18050	0.065	6203-Z	6203-ZZ
	40	12	9.76	4.66	11400	0.065	6203-RS	6203-2RS
	40	16	9.37	4.66	11400	0.083	-	62203-2RS
	47	14	14.02	6.42	16150	0.12	6303-Z	6303-ZZ
	47	14	14.02	6.42	10450	0.12	6303-RS	6303-2RS
47	19	13.23	6.42	10450	0.15	-	62303-2RS	
20	27	4	0.84	0.57	21000	0.018	-	61704-ZZ
	32	7	3.98	2.23	21000	0.018	-	61804-ZZ
	32	7	3.98	2.23	20900	0.018	-	61804-2RZ
	32	7	3.98	2.23	12350	0.018	-	61804-2RS
	37	9	6.25	3.58	22000	0.038	-	61904-ZZ
	37	9	6.25	3.58	19000	0.038	-	61904-2RZ
	37	9	6.25	3.58	11400	0.038	-	61904-2RS
	42	12	9.76	4.9	18050	0.069	6004-Z	6004-ZZ
	42	12	9.76	4.9	10450	0.069	6004-RS	6004-2RS
	42	16	9.18	4.9	10450	0.086	-	63004-2RS
	47	14	13.23	6.42	16150	0.11	6204-Z	6204-ZZ
	47	14	13.23	6.42	9500	0.11	6204-RS	6204-2RS
	47	18	12.45	6.42	9500	0.13	-	62204-2RS
	52	15	16.47	7.65	14250	0.14	6304-Z	6304-ZZ
	52	15	16.47	7.65	9025	0.14	6304-RS	6304-2RS
52	21	15.59	7.65	9025	0.2	-	62304-2RS	
22	50	14	13.72	7.5	8550	0.12	-	62/22-2RS
25	32	4	0.90	0.66	19000	23000	-	61705-ZZ
	37	7	4.28	2.55	20000	0.022	-	61805-ZZ
	37	7	4.28	2.55	18050	0.022	-	61805-2RZ
	37	7	4.28	2.55	10450	0.022	-	61805-2RS

* Per i cuscinetti schermati solo da un lato sono valide le velocità limite dei cuscinetti aperti
 * For one side shield bearings speed limit, use the same value of open bearings